



# 2026

Complete  
Lineup  
Catalogue

LS

## Table of contents



**#EXPLOREFURTHER**

**3** More Than Just a Brand

**5** Wireless Dropper Seat Posts

**11** Dropper Seat Posts

**23** Droppers Overview

**25** Remotes

**31** Suspension

**37** Components

**45** Accessories

# MORE THAN JUST A BRAND



## PROUDLY MADE IN TAIWAN

KS is a great example of how perseverance and innovation can turn a new idea into a game-changer product. Our brand's DNA is rooted in a history of visionary creativity and innovative thinking. Our brand is all about being creative and thinking outside the box. We started back in 1983 in Taiwan, and ever since then, we've been rocking the world of bike components with our top-notch quality.

Starting as an OEM manufacturer, in 1997, we took things up a notch and started creating our own brand. That's when we started making mind-blowing bicycle shock absorbers. And in 1999, we introduced our first-ever dropper seat post. That was a big deal because this product category was going to change mountain biking like probably no other invention.

## OUR DRIVING FORCE

KS has become a world-renowned leading brand of dropper seat posts. Our flagship product, the LEV series set a standard others are judged by and now we're ready to take on new challenges and expand into more suspension products.

Explore. We're all about encouraging riders to break free from the ordinary and discover new horizons. With our super advanced products, you can tackle the toughest terrains with confidence. It's time to unleash your inner explorer!

Innovate. Innovation is in our blood. Since day one, we've been pushing the limits and creating products that blow people's minds. We love bringing the latest and greatest technology to the world of cycling.

Perform. Our products are designed to rock your world, no matter what you're doing. Whether you're racing down a mountain or just cruising around town, our products will give you the smoothest ride and the best handling. Get ready to perform like a boss!

## OUR STATE-OF-THE-ARTS FACILITY

In 2020, we made a bold move that changed the game for us, our new, larger facility has revolutionized our production and R&D capabilities, propelling us to new heights of success.

With expanded space and cutting-edge technology, we've turbocharged our production processes. We're cranking out more innovative products faster than ever before, meeting the demands of our customers and leaving our competitors in the dust.

## OUR ENVIRONMENTAL, SOCIAL, AND GOVERNANCE PROGRAM

We believe in the well-being of our employees, and we've created an environment that nurtures their personal growth and happiness.

Our new facility boasts an indoor gym and an outdoor bike park that offer an exhilarating escape to recharge and find inspiration.

Sustainability is a core value we hold close to our hearts. We're committed to reducing our carbon footprint and embracing eco-friendly practices.

That's why our building is decked out with numerous solar panels, harnessing the power of the sun to produce a staggering 309 kWc. We're not just innovators in our products; we're pioneers in sustainable development, leading the charge toward a greener future.



**WIRELESS  
DROPPER  
SEAT POSTS**

# LEV CIRCUIT

## GAME CHANGER, CUT THE CORD

Fully wireless control experience  
and up to 200mm of travel.

### KEY FEATURES

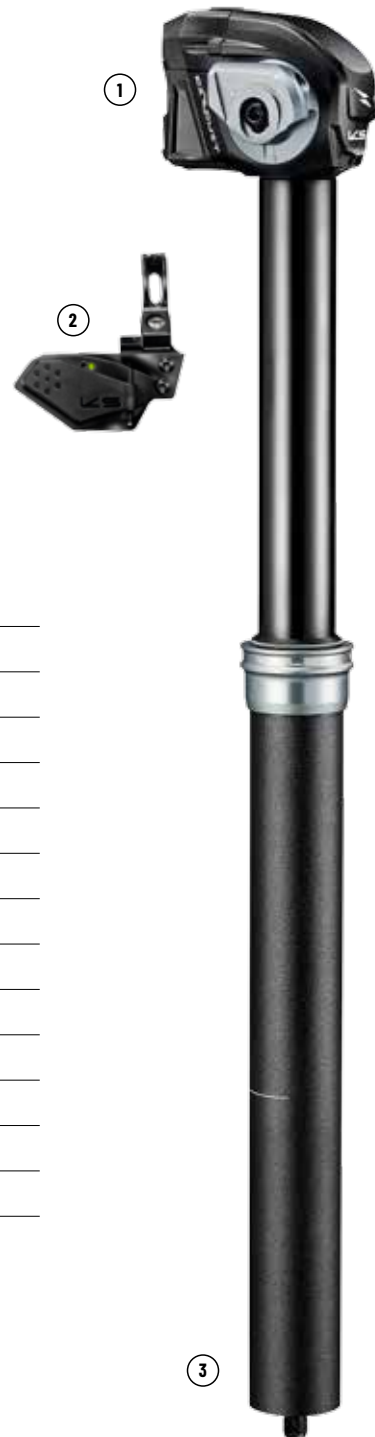
- 1 REMOVABLE AND RECHARGEABLE BATTERY. Up to 55 hours of power
- 2 REMOTE POWERED BY A CR2032 BATTERY. You're always ready to hit the trail
- 3 ADJUSTABLE AIR PRESSURE. Tailor your ride to perfection

### SPECIFICATIONS

Diameter (mm)	Travel (mm)	Length (mm)	Insert (mm)	Weight (g)
30,9	125	402	219	588
	150	452	244	627
	175	502	269	671
	200	552	294	706
31,6	125	402	219	608
	150	452	244	647
	175	502	269	691
	200	552	294	726
34,9	125	397	214	TBD
	150	447	239	TBD
	175	497	264	TBD
	200	547	289	TBD

### AND THERE'S MORE...

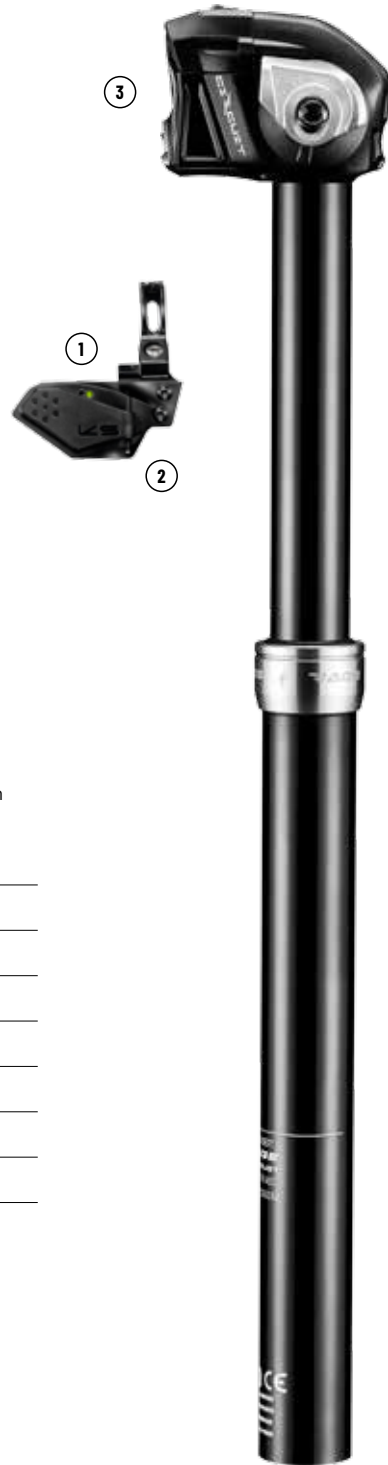
- + Quick signal transfer thanks to the Bluetooth connection between remote and dropper seat post
- + IP67 rated (dust-tight and water-resistant)
- + New internal design with hydraulic valve at the top of the post
- + Remote, battery and charger included
- + Price level: \$\$\$\$\$



# RAGE CIRCUIT

## BOLD AND WIRELESS, READY TO GO

Wireless dropper tech, now within reach. Built on KS's LEV Circuit expertise, the RAGE Circuit delivers reliable performance at a price that makes wireless more accessible than ever.



### KEY FEATURES

- 1 **WIRELESS ACTUATION.** Eliminates cable routing, simplifying installation, maintenance, and frame compatibility
- 2 **2,4 GHZ WIRELESS PROPRIETARY COMMUNICATION SYSTEM.** Quick signal transfer between remote and dropper seat post
- 3 **REMOVABLE AND RECHARGEABLE BATTERY.** Reduces the need for disposable batteries, offering a sustainable and economical power solution

### SPECIFICATIONS

Diameter (mm)	Travel (mm)	Length (mm)	Insert (mm)	Weight (g)
30,9	120	380	202	595
	150	445	237	650
	180	505	267	707
31,6	120	380	202	614
	150	445	237	672
	180	505	267	733

### AND THERE'S MORE...

- + No cables or connectors
- + Remote powered by a CR2032 battery
- + IP67 rated (dust-tight and water-resistant)
- + Remote, battery and charger included
- + Price level: \$\$\$\$





**DROPPER  
SEAT POSTS**

# LEV Ci

## ULTRA-LIGHT, WORLD CUP PROVEN

*Crafted from premium materials, including a carbon mast, with World Cup-proven technology at its core.*

### KEY FEATURES

- 1 REINFORCED LIGHTWEIGHT UD CARBON FIBER MAST.** Efficient power transfer while keeping weight to a minimum
- 2 ADJUSTABLE AIR SPRUNG HYDRAULIC CARTRIDGE.** Fine-tune the post's behavior to match your weight, riding style, and terrain
- 3 7000-SERIES ALLOY STANCHION.** High strength-to-weight ratio

### SPECIFICATIONS

Diameter (mm)	Travel (mm)	Length (mm)	Insert (mm)	Weight (g)
30,9	75	390	266	427
	100	390	239	452
	125	390	216	432
	150	440	239	458
	175	490	266	486
31,6	75	390	266	442
	100	390	239	458
	125	390	216	440
	150	440	239	471
	175	490	266	499

### AND THERE'S MORE...

- + Designed for internal frame routing
- + Cylindrical upper clamp nuts simplify installation
- + More vertical head clamp bolt angle increases clamping force
- + Patented one-way roller clutch bearing
- + Lighter weight, rotating bottom actuator
- + Short insertion length to travel ratio
- + Compatible with all KS remotes
- + Remote sold separately
- + Price level: \$\$\$\$\$



# LEV INTEGRA

## THE BENCHMARK, DROP AFTER DROP

Designed for the toughest trails, the benchmark in internally routed dropper seat posts.

### KEY FEATURES

- 1 ADJUSTABLE AIR-SPRUNG HYDRAULIC CARTRIDGE.** Fine-tune air pressure for a customized feel, balancing firmness and responsiveness
- 2 7000-SERIES ALLOY STANCHION.** Excellent strength-to-weight ratio for durability without excess weight
- 3 SHORT INSERTION LENGTH-TO-TRAVEL RATIO.** Maximizes dropper travel even in frames with limited seat tube depth

### SPECIFICATIONS

Diameter (mm)	Travel (mm)	Length (mm)	Insert (mm)	Weight (g)
30,9	65	295	180	364
	100	330	180	397
	125	380	205	478
	150	430	230	519
	175	490	250	559
	200	530	280	590
31,6	65	295	180	375
	100	330	180	399
	125	380	205	496
	150	430	230	540
	175	490	250	582
	200	530	280	612
34,9	125	383	210	558
	150	433	235	615
	175	483	260	657
	200	533	285	712

### AND THERE'S MORE...

- + Designed for internal frame routing
- + Cylindrical upper clamp nuts simplify installation
- + More vertical head clamp bolt angle increases clamping force
- + Lighter weight, rotating bottom actuator, reduced actuation force
- + Longer travel options
- + Lightweight press-fit bushing and dust wiper
- + Alloy mast
- + Compatible with all KS remotes
- + Remote sold separately
- + Price level: \$\$\$\$



# LEV INTEGRA 272

## SMALLER DIAMETER, PRECISION REDEFINED

Looking for the ultimate in 272mm dropper seat post performance? Look no further.

### KEY FEATURES

- 1 7000-SERIES ALLOY STANCHION.** Excellent strength-to-weight ratio for durability without excess weight
- 2 UPDATED ADJUSTABLE AIR-SPRUNG HYDRAULIC CARTRIDGE WITH SMOOTHER REBOUND.** Fine-tune air pressure for a customized feel, balancing firmness and responsiveness
- 3 REDUCED ACTUATION FORCE.** Requires less force to engage, making seat height adjustments quicker and more intuitive

### SPECIFICATIONS

Diameter (mm)	Travel (mm)	Length (mm)	Insert (mm)	Weight (g)
27,2	65	375	255	378
	100	410	255	481
	120	460	285	523

### AND THERE'S MORE...

- + Designed for internal frame routing
- + Cylindrical upper clamp nuts simplify installation
- + More vertical head clamp bolt angle increases clamping force
- + Alloy mast
- + Short insertion length to travel ratio
- + Compatible with all KS remotes
- + Remote sold separately
- + Price level: \$\$\$\$



# RAGE-i S

## ADJUSTABLE SUSPENSION, HIGH PERFORMANCE DROPPER

Entirely powered by air, the perfect suspension for hardtail MTBs and Gravel bikes.

### KEY FEATURES

- 1 ADJUSTABLE AIR SPRING VIA AIR VALVE.** A Schrader valve nestled beneath the clamp allows you to fine-tune the spring pressure
- 2 SAG INDICATOR O-RING.** A simple tool to get the ideal sag measurement
- 3 LIGHTWEIGHT, ROTATING BOTTOM ACTUATOR.** Reduced actuation force

### SPECIFICATIONS

Diameter (mm)	Travel (mm)	Length (mm)	Insert (mm)	Weight (g)
27,2	65	380	255	486
	100	415	255	501
30,9	70	358	236	473
	100	338	186	428
	125	388	211	464
	150	438	236	502
31,6	70	358	236	495
	100	338	186	444
	125	388	211	483
34,9	100	338	186	507
	125	388	211	554
	150	438	236	600

### AND THERE'S MORE...

- + Designed for internal frame routing
- + Cylindrical upper clamp nuts simplify installation
- + More vertical head clamp bolt angle increases clamping force
- + Compatible with all KS remotes
- + Remote sold separately
- + Price level: \$\$\$\$



# VANTAGE

## THE PERFECT DROP, FINELY TUNED

With our revolutionary "TravelTune" technology, riders can custom-tune the travel for their specific fit.

### KEY FEATURES

- 30MM OF USER ADJUSTABLE TRAVEL RANGE ADJUSTMENT IN 1MM INCREMENTS.** Dial in the perfect setup for any terrain, preference and bike geometry
- TRAVEL ADJUSTABLE IN THREE RANGES.** 210-180mm / 170mm-140mm / 140mm-110mm
- TRAVEL ADJUSTABLE USING A SIMPLE ALLEN WRENCH.**  
No need to disassemble the post to accomplish the travel tuning

### SPECIFICATIONS

Diameter (mm)	Travel (mm)	Length (mm)	Insert (mm)	Weight (g)
30,9	140 - 110	438 - 408	247	576
	170 - 140	498 - 468	277	613
	210 - 180	578 - 548	317	684
31,6	140 - 110	438 - 408	247	600
	170 - 140	498 - 468	277	658
	210 - 180	578 - 548	317	707
34,9	140 - 110	438 - 408	247	687
	170 - 140	498 - 468	277	737
	210 - 180	578 - 548	317	840

### AND THERE'S MORE...

- + Designed for internal frame routing
- + Compatible with all KS remotes
- + Remote sold separately
- + Price level: \$\$\$\$\$



# RAGE-i

## BUILT TO LAST, BUDGET-FRIENDLY

Consistent performance at a price that won't leave your wallet gasping for air.

### KEY FEATURES

- ALLOY STANCHION.** Ensures smooth movement, reducing friction and wear
- PRESS FIT BUSHING AND DUST WIPER.** Smooth operation + protection from dirt & debris
- WEIGHT OPTIMIZED ALLOY MAST.** Provides a great balance of durability, performance, and cost

### SPECIFICATIONS

Diameter (mm)	Travel (mm)	Length (mm)	Insert (mm)	Weight (g)
30,9	75	292	161	420
	100	342	186	458
	125	392	211	506
	150	442	236	549
	170	495	268	605
	190	535	288	640
31,6	75	292	161	440
	100	342	186	475
	125	392	211	525
	150	442	236	570
	170	495	268	625
	190	535	288	660
34,9	100	342	188	515
	125	392	213	580
	150	442	236	655
	170	495	270	720
	190	535	290	685

### AND THERE'S MORE...

- + Designed for internal frame routing
- + Cylindrical upper clamp nuts simplify installation
- + More vertical head clamp bolt angle increases clamping force
- + Lightweight, rotating bottom actuator, reduced actuation force
- + Compatible with all KS remotes
- + Remote sold separately
- + Price level: \$\$\$\$\$



# E20-i

## AFFORDABLE AND SMART, 27,2 TECH MADE EASY

With its remote actuation, internal cable routing, and sealed, air-sprung hydraulic cartridge, the e20-i has got you covered.

### KEY FEATURES

- ONE-PIECE 3D FORGED ALLOY STANCHION.** Eliminates weak points associated with multi-piece constructions, increasing reliability
- SEALED, AIR SPRUNG HYDRAULIC CARTRIDGE.** Protecting internal components from dirt and moisture
- DESIGNED FOR INTERNAL FRAME ROUTING.** Prevents cable snagging or interference with pedaling and suspension movement

### SPECIFICATIONS

Diameter (mm)	Travel (mm)	Length (mm)	Insert (mm)	Weight (g)
27,2	100	390	232	580
	120	435	256	620

### AND THERE'S MORE...

- + Alloy mast
- + Micro adjustable head clamp
- + Compatible with all KS remotes
- + Remote sold separately
- + Price level: \$\$\$\$\$



# eTEN

## ENGINEERED FOR SIMPLICITY, TRUSTED FOR RELIABILITY

With its easy-to-use lever, eTEN provides hassle-free seat height adjustment. A one-size-fits-all solution that ensures everyone can ride in comfort and style.

### KEY FEATURES

- LEVER ACTUATION.** Quick and hassle-free making setup. Can be easily swapped between bikes without dealing with cable routing complexities
- FORGED HEAD WITH 20MM REAR OFFSET.** For those needing more setback to optimize pedaling efficiency
- BLACK HARD ANODIZED ALLOY STANCHION.** Increases surface hardness and wear resistance

### SPECIFICATIONS











Diameter (mm)	Travel (mm)	Length (mm)	Insert (mm)	Weight (g)	
27,2	100	410	243	625	
	30,9	75	325	189	609
		100	385	224	634
31,6	125	445	261	706	
	75	325	189	625	
		100	385	224	655
125	445	261	731		

### AND THERE'S MORE...

- + Alloy mast
- + Sealed, air sprung hydraulic cartridge
- + Black laser etched seal collar
- + Price level: \$\$\$\$\$



# DROPPERS OVERVIEW

	Actuation			Suspension	Adjustable		Diameters (mm)				Travel (mm)	
	Wireless	Innre Cable	Lever		Air Pressure	Travel	27,2	30,9	31,6	34,9	Longest	Shortest
<b>LEV CIRCUIT</b> 	✓				✓			✓	✓	✓	200	125
<b>RAGE CIRCUIT</b> 	✓	✓					✓	✓				
<b>LEV Ci</b> 		✓			✓	✓	✓	✓		175	65	
<b>LEV INTEGRA</b> 		✓			✓		✓	✓	✓	200	65	
<b>LEV INTEGRA 272</b> 		✓			✓	✓				120	65	
<b>VANTAGE</b> 		✓				✓		✓	✓	210	110	
<b>RAGE-i</b> 		✓					✓	✓	✓	190	75	
<b>RAGE-i S</b> 		✓		✓		✓	✓	✓	✓	150	65	
<b>E20-i</b> 		✓				✓				120	100	
<b>E-TEN</b> 			✓			✓	✓	✓		125	75	



**REMOTES**

# SOUTHPAW

SIMPLIFY YOUR COCKPIT,  
MAXIMIZE CONTROL

The Southpaw remote offers smooth, reliable performance, giving you the edge on technical descents and fast transitions.



**KEY FEATURES**

- 1 SEALED CARTRIDGE BEARING.** Reduces friction, allowing for effortless and consistent operation of the dropper post
- 2 INTEGRATED BARREL ADJUSTER.** Quick and easy cable tension adjustments
- 3 MOUNTING OPTIONS AVAILABLE FOR 22.2 BAR, MATCHMAKER X, I-SPEC II AND I-SPEC EV.** For Shimano and SRAM fitment only. (KS does not ensure compatibility with other third party components)

**AND THERE'S MORE...**

- + Ergonomically designed for 1x setups
- + Alloy paddle available in universal cable mounting direction (cable clamps at the lever) or traditional cable mounting direction (cable barrel end at lever)
- + Stainless steel hardware
- + Adjustable position

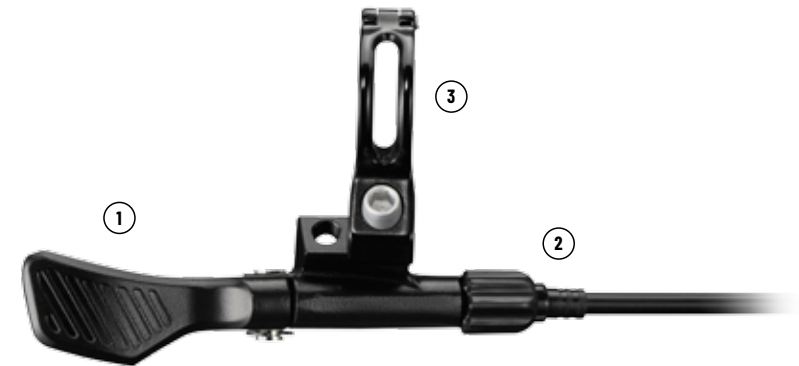
**SPECIFICATIONS**

MODEL	22.2 bar clamp	Matchmaker	i-Spec II	i-Spec EV
Southpaw Alloy Traditional	✓	✓	✓	✓
Southpaw Alloy Universal	✓	✓	✓	✓

# WESTY 2.0

SIMPLE, RELIABLE,  
EVERY RIDE

Westy delivers rugged alloy construction, ergonomic design, and unbeatable value. No fluff, just precision control for every ride.



**KEY FEATURES**

- 1 FULL EXTRUDED AND FORGED ALUMINUM ALLOY CONSTRUCTION.** Keeps the remote light for a responsive feel while ensuring durability for aggressive riding
- 2 INTEGRATED BARREL ADJUSTER.** Quick and easy cable tension adjustments
- 3 MOUNTING OPTIONS AVAILABLE FOR 22.2 BAR, MATCHMAKER X, I-SPEC II AND I-SPEC EV.** For Shimano and SRAM fitment only. (KS does not ensure compatibility with other third party components)

**AND THERE'S MORE...**

- + Ergonomically designed for 1x setups
- + Anti-corrosive nitride coated hardware

**SPECIFICATIONS**

MODEL	22.2 bar clamp	Matchmaker	i-Spec II	i-Spec EV
Westy 2.0	✓	✓	✓	✓

# KGSL

## PRECISION RULES, CONTROL REIGNS

Available in carbon fiber or alloy, with multiple mounting options, the KG family of remotes prioritize precision, adaptability, and a clutter-free setup. Whether left- or right-handed, you get effortless control and cockpit integration.



### KEY FEATURES

- 1 SEALED CARTRIDGE BEARING.**  
Reduces friction for effortless and precise actuation
- 2 ERGONOMICALLY DESIGNED.**  
For left or right hand operation
- 3 MORE MOUNTING OPTIONS.**  
Available for 22.2mm and 31.8mm handlebar diameters

### SPECIFICATIONS

MODEL	22.2 bar clamp	Matchmakeri-Spec II	i-Spec EV
Westy 2.0	✓	✓	✓

### AND THERE'S MORE...

- + Carbon fiber and forged alloy versions to fit any budget
- + Hinged clamps compatible as lock-ring for grips
- + Included cable noodle
- + Stainless steel hardware
- + Alloy paddle available in universal cable mounting direction (cable clamps at the lever) or traditional cable mounting direction (cable barrel end at lever)
- + Carbon paddle available in traditional cable mounting direction (cable barrel end at lever)

# KG DROP 1.0

## DROP BARS, FULL CONTROL

Designed for gravel, cyclocross, and touring, the KG Drop 1.0 offers superb ergonomics with easy access from both the hoods and drops.



### KEY FEATURES

- 1 SVELTE, SINGLE PADDLE DESIGN.** Sleek and low profile
- 2 22.2MM HINGED HANDLEBAR CLAMP DIAMETER.**  
Low profile and concealed under bar tape
- 3 AVAILABLE IN TRADITIONAL CABLE MOUNTING DIRECTION ONLY.** Cable barrel end at lever

### SPECIFICATIONS

MODEL	24,2 bar clamp
KG Drop 1.0 Traditional	✓

### AND THERE'S MORE...

- + Ergonomically designed for drop bar setups
- + Lever operation is accessible from the drops or the hoods
- + Compatible with virtually any drop bar multi-control lever system
- + Full extruded and forged aluminum alloy construction
- + Anti-corrosive nitride coated hardware
- + Left hand only

# KG DROP 2.0

## DUAL PADDLES, TOTAL PRECISION

Built from high-quality aluminum with a low-profile, bar tape-concealed clamp, the KG Drop 2.0 delivers unmatched precision and usability over rough terrain. Its dual paddle design enhances responsiveness, ensuring quick and intuitive actuation from both the hoods and drops.



### KEY FEATURES

- 1 DUAL PADDLE DESIGN.** Improves actuation precision over rough terrain
- 2 SEALED CARTRIDGE BEARING.** Reduces friction for effortless and precise actuation
- 3 22.2MM HINGED HANDLEBAR CLAMP DIAMETER.**  
Low profile and concealed under bar tape

### SPECIFICATIONS

MODEL	24,2 bar clamp
KG Drop 2.0 Universal	✓

### AND THERE'S MORE...

- + Ergonomically designed for drop bar setups
- + Lever operation is accessible from the drops or the hoods
- + Compatible with virtually any drop bar multi-control lever system
- + Full extruded and forged aluminum alloy construction
- + Anti-corrosive nitride coated hardware
- + Available in traditional cable mounting direction (cable barrel end at lever) and universal cable mounting direction (cable clamps at the lever)
- + Left hand only



# SUSPENSION

# GTC FORK

## ONE FORK, ALL TERRAIN

*Purpose-built for the specific demands of gravel and e-gravel riding.*

### KEY FEATURES

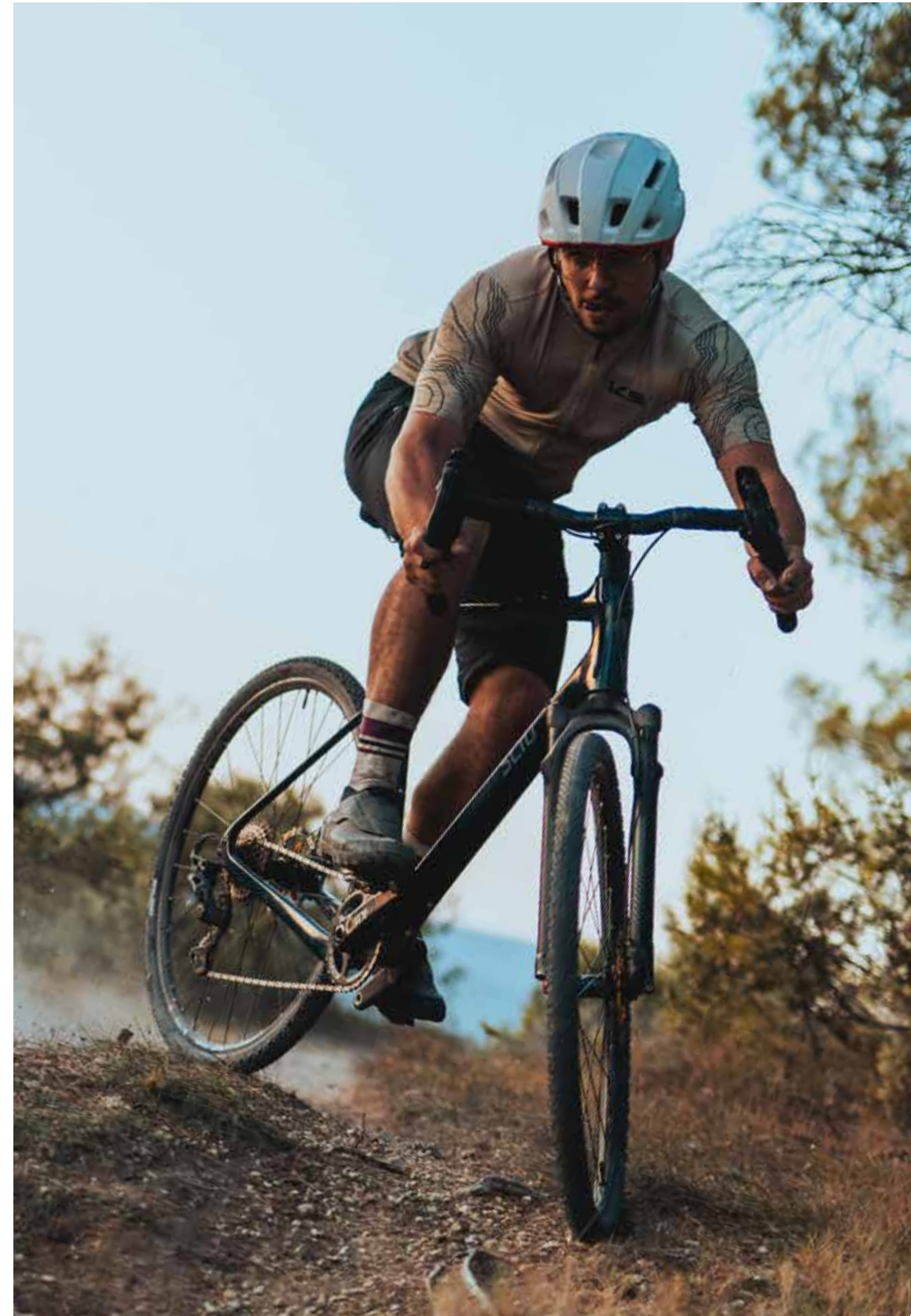
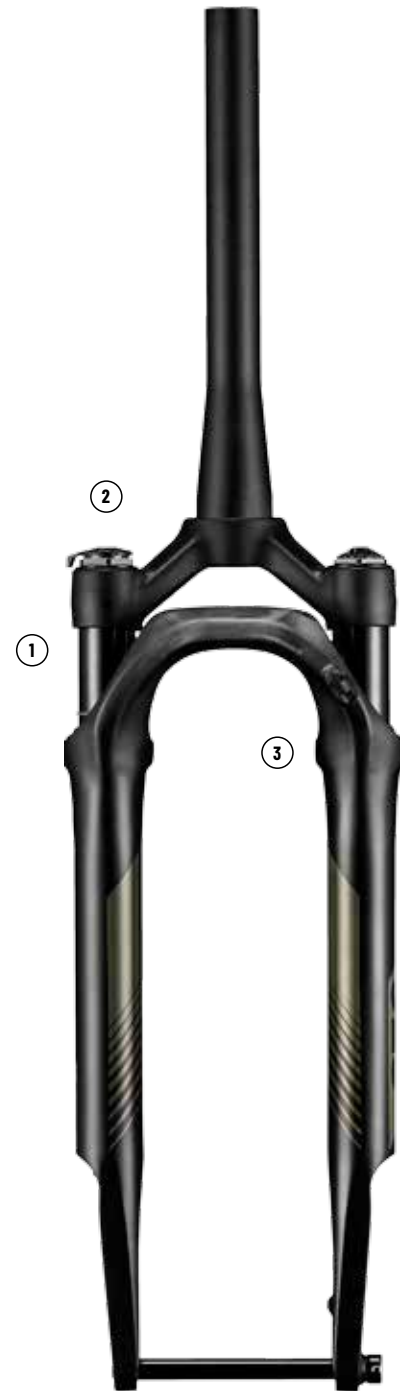
- 1 40MM OF TRAVEL.** Smooths out rough terrain, improves control, reduces fatigue
- 2 OIL DAMPING SYSTEM WITH ADJUSTABLE REBOUND AND LOCKOUT.** Allows for a more versatile riding experience, from smooth roads to rough, technical routes
- 3 HIGH MODULUS CARBON FIBER AND AL6061 COMPOSITE LOWER LEGS.** Optimal balance of low weight and high strength

### SPECIFICATIONS

MODEL	Travel (mm)	Rotor (mm)	Steerer Tube	Thru Axle	Weight (g)
GTC Gravel Fork	40	160 - 180	1 - 1/2	10*12	1385

### AND THERE'S MORE...

- + Adjustable air spring
- + AL6066-T6 forged crown
- + Flat mount disc brake compatibility
- + 30mm diameter AL7050 hard anodized stanchions
- + Compatible with up to 700x50c tires
- + 1.5" to 1.125" tapered alloy steerer tube
- + 46mm offset



# A3.0 FORK

## FOR YOUNG RIDERS, BY DESIGN

The A3.0 Fork delivers ultimate comfort, control, and confidence for young riders. Lightweight, adjustable, and built to handle any terrain, it's the perfect upgrade for kids' MTB adventures.

### KEY FEATURES

- HIGH MODULUS CARBON FIBER LOWER LEGS.**  
Reduce the overall weight of the fork
- HYDRAULIC CARTRIDGE WITH ADJUSTABLE REBOUND AND LOCKOUT.** Allows riders to fine-tune the fork's response to different trail conditions
- ADJUSTABLE AIR SPRING.** Allows the fork's suspension to be tailored to the rider's weight and riding style

### SPECIFICATIONS

MODEL	Travel (mm)	AC (mm)	Steerer Tube
A3.0 Kids Fork 26"	100	490	1 - 1/8"
A3.0 Kids Fork 24"	80	430	1 - 1/8"
A3.0 Kids Fork 20"	80	385	1 - 1/8"

### AND THERE'S MORE...

- + Alloy stanchions
- + Press-in bushing and dust wiper
- + Post mount disc brake mounts
- + Alloy steerer tube
- + Forged alloy crown
- + 100 x 15 thru-axle and 100 x standard QR available
- + Option: Steerer tube tapered 1-1/8" -1-1/2"



# CANTRELL SEATPOST

## TAILORED COMFORT, ENHANCED CONTROL

Tailor the seat post's suspension to suit your specific weight, your riding preferences, and the terrain.

### KEY FEATURES

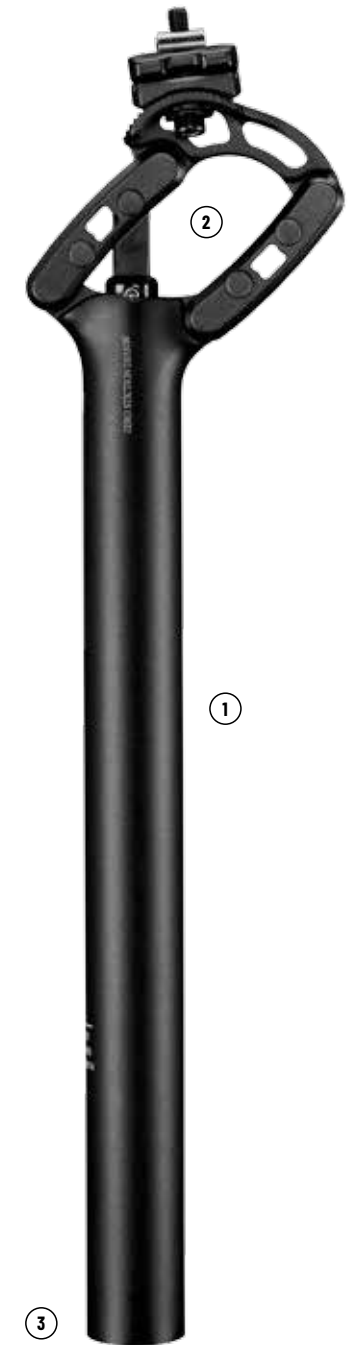
- 3D ONE PIECE FORGED SEAT POST.** Improved mechanical properties
- PARALLELOGRAM SUSPENSION SYSTEM.** By absorbing shocks and vibrations, this system helps to lessen the strain on the rider's body
- EASILY ADJUSTABLE SPRING PRELOAD.** Simply use an allen wrench to adjust the spring hardness

### SPECIFICATIONS

MODEL	Diameter (mm)	Length (mm)	Insert (mm)	Weight (g)
Cantrell	27,2	350	250	586
	27,2	400	300	624
	30,9	350	250	618
	30,9	400	300	652
	31,6	350	250	641
	31,6	400	300	679

### AND THERE'S MORE...

- + Built-in spring
- + Price level: \$\$\$\$





**COMPONENTS**

# ETHER CARBON FLAT BAR

## RACE-READY, PERFORMANCE-DRIVEN

*Designed for speed, crafted for control.  
Absorbs vibrations for a smoother, more comfortable ride,  
with long-term reliability on even the toughest trails.*



### KEY FEATURES

- 1 **FULL MULTI-LAYER UNIDIRECTIONAL CARBON FIBER COMPOSITE.** Exceptional strength-to-weight ratio
- 2 **TEXTURED CLAMP AREA.** Does not require carbon prep
- 3 **VARIED WALL THICKNESS.** Optimized for strength where needed and minimal weight where it's not

### AND THERE'S MORE...

- + Tuned shape balances stiffness for control while maintaining flexibility for vibration damping
- + Understated graphics
- + Applied rotation and cutting length guides

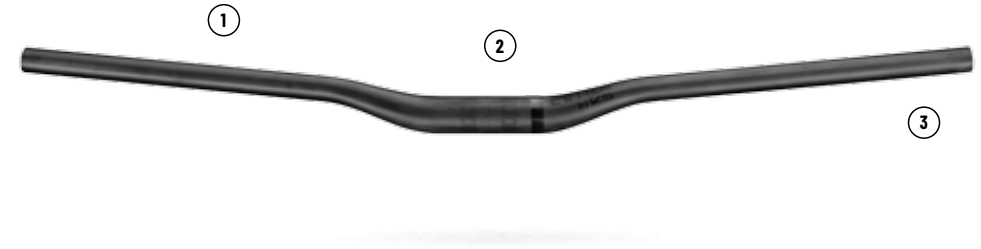
### SPECIFICATIONS

MODEL	Length (mm)	Rise (mm)	Sweep (Up/Back)	Weight (g)
Ether Carbon Flat Bar 31,8	720	0	0° / 9°	130
	780	0	0° / 9°	135
Ether Carbon Flat Bar 35	720	0	0° / 9°	195
	780	0	0° / 9°	200

# ETHER CARBON RISER BAR

## ENGINEERED FOR GRAVITY, BUILT FOR THE TRAIL

*Crafted for the most demanding trails, offering unbeatable strength  
and lightweight performance for gravity-fueled adventures.*



### KEY FEATURES

- 1 **FULL MULTI-LAYER UNIDIRECTIONAL CARBON FIBER COMPOSITE.** Exceptional strength-to-weight ratio
- 2 **TUNED SHAPE BALANCES STIFFNESS FOR CONTROL WHILE MAINTAINING FLEXIBILITY FOR VIBRATION DAMPING.** Reduces hand fatigue and improves ride comfort
- 3 **APPLIED ROTATION AND CUTTING LENGTH GUIDES.** Reduces the risk of incorrect cuts or misalignments

### AND THERE'S MORE...

- + Varied wall thickness optimized for strength where needed and minimal weight where it's not
- + Textured clamp area does not require carbon prep
- + Understated graphics

### SPECIFICATIONS

MODEL	Length (mm)	Rise (mm)	Sweep (Up/Back)	Weight (g)
Ether Carbon Riser 31,8	780	20	4° / 9°	138
	810	20	4° / 9°	142
Ether Carbon Riser 35	780	20	4° / 9°	200
	810	20	4° / 9°	210

# ETHER FORGED XC AND GRAVEL STEM

## FEATHERLIGHT RAZOR-SHARP HANDLING

A meticulously crafted stem that blends featherweight efficiency, durability, and control for peak performance on any trail or gravel path.



### KEY FEATURES

- 1 **SPECIFICALLY SELECTED ALUMINUM ALLOY.** Ensures rigidity while keeping weight minimal for efficient power transfer
- 2 **FORGED AND CNC-MACHINED CONSTRUCTION.** Removes excess material while maintaining strength
- 3 **DURABLE ANODIZED FINISH.** Corrosion and wear resistance

### AND THERE'S MORE...

- + Wide variety of sizes and fitments
- + Designed for 31.8mm handlebar clamp diameters
- + Super lightweight

### SPECIFICATIONS

MODEL	Rise (mm)	Weight (g)
STM11-70	6°	86
STM11-90	6°	91
STM11-110	6°	100

# ETHER FORGED STEM

## PRECISION-ENGINEERED TRAIL-READY

Unyielding stiffness, razor-sharp control.

The Ether Forged Alloy Stem delivers ultimate confidence in any terrain. Precision-engineered for riders who demand strength and performance.



### KEY FEATURES

- 1 **7000-SERIES ALUMINUM ALLOY.** Excellent strength-to-weight ratio for durability without excess weight
- 2 **EXCEEDINGLY STIFF.** Positive, connected feel
- 3 **CONICAL SEAT BOLTS.** Better clamp load distribution

### AND THERE'S MORE...

- + Forged alloy front clamp
- + Precision machined threads
- + Understated laser etched graphic

### SPECIFICATIONS

MODEL	Rise (mm)	Weight (g)
Ether Forged Stem 31,8 / 50mm	0°	120
Ether Forged Stem 31,8 / 70mm	0°	148

# ETHER DROP BAR

## SPEED MEETS CONTROL, BUILT FOR GRAVEL

Engineered for gravel's toughest demands, delivering speed on smooth roads and unmatched control on rough terrain. Built to endure, designed for high-performance rides.



### KEY FEATURES

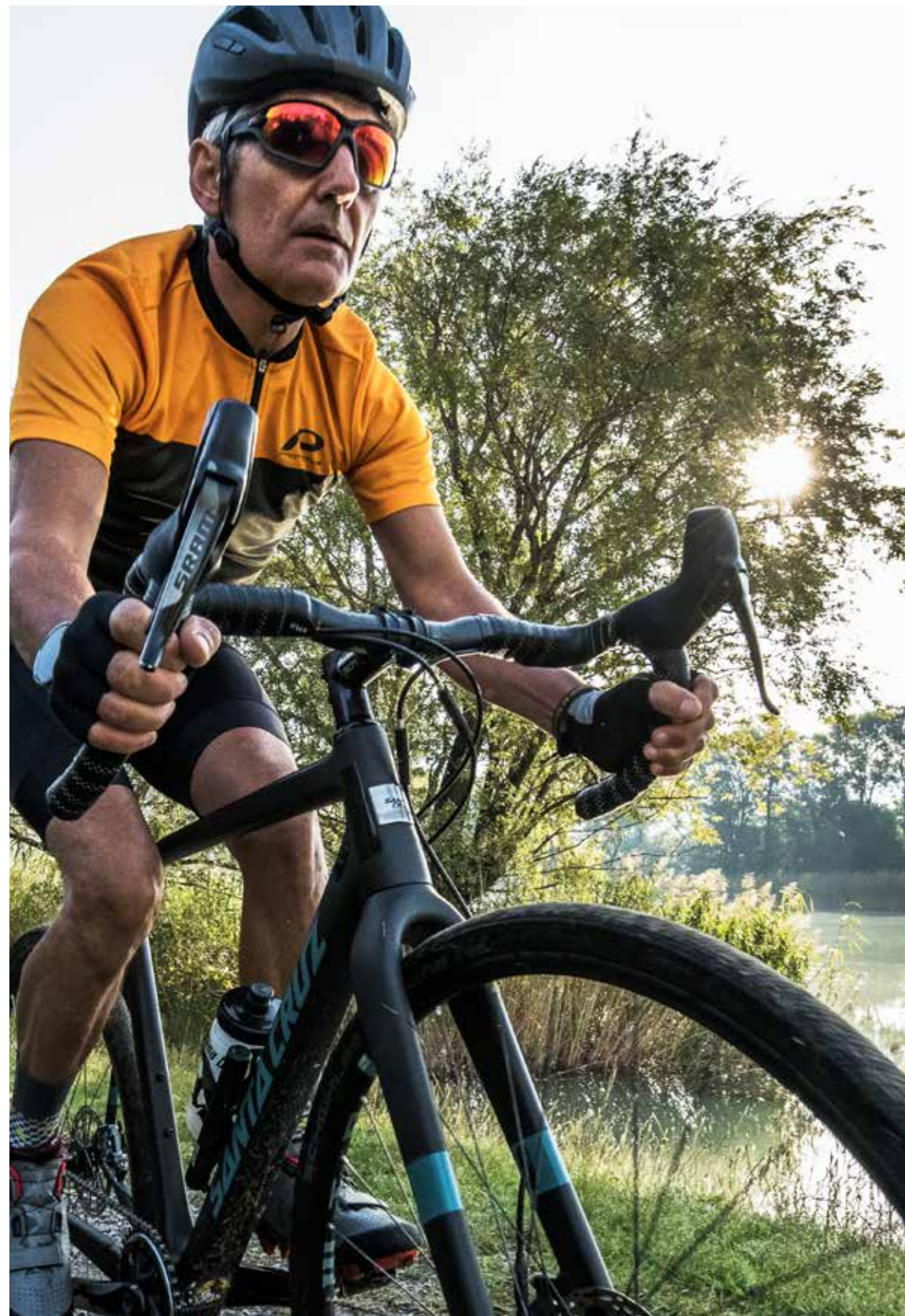
- 1 VARIABLE WALL THICKNESS CARBON FIBER COMPOSITE.** Optimized strength, weight, responsiveness and vibration damping
- 2 GRAVEL-SPECIFIC RISE, TOPS, DROP AND FLARE.** Ideal balance on multi-surface terrain
- 3 INTERNAL CABLE ROUTING.** Keeps cables neatly tucked away, for a sleek, clean aesthetic

### AND THERE'S MORE...

- + Super lightweight
- + Composite material naturally damps vibration
- + 31.8mm clamp diameter
- + 420, 440 mm widths

### SPECIFICATIONS

MODEL	Clamp diameter (mm)	Rise (mm)	Width (mm)	Weight (g)
Ethan Carbon Gravel Drop Bar	31,8	18	420	270
	31,8	18	440	275





# ACCESSORIES

## AIR 8

### HIGH-PRESSURE HAND PUMP, DESIGNED FOR PRECISION

*Effortlessly fine-tune your bicycle suspension with KS AIR-8 high-pressure hand pump. Designed for precision, KS AIR-8 ensures quick and easy adjustments to achieve the perfect balance for your ride.*



#### KEY FEATURE

##### DOUBLE-THREADED VALVE HEAD.

One thread secures the connection, the second depresses the valve pin for inflation. When disconnecting, the valve pin retracts before unscrewing the main thread, preventing air loss.

#### AND THERE'S MORE...

- + Coated for smooth action
- + Extra flexible to bend around frame junctions
- + High tensile strength

## SEAT COLLARS

### SECURE, LOW-PROFILE

*Seat collars provide seat post security across any terrain. They endure immense forces, from city bumps to rocky paths, transferring your weight to the bike. To maintain flawless dropper post function, choose the perfect seat post collar, mindful of diameter, manufacturer details and fastening options.*



#### KEY FEATURE

##### PRECISION-FIT SEAT POST COLLAR.

Built to withstand extreme forces and daily wear, KS collars deliver long lasting support and seamless ride control so your seat post only moves when you want it to.

#### AND THERE'S MORE...

- + Forged
- + CNC-machined
- + QR and standard binder bolt options

## POST PASTE

### HIGH-PRECISION COMPOUND, DESIGNED FOR DROPPER POST INTERFACES

*The unique composition of the KS Post Paste delivers smooth, reliable actuation ride after ride. With excellent resistance to moisture, pressure, and temperature changes, KS Post Paste extends the life of your components. Trusted by riders and mechanics alike, it's the go-to solution for quality seat post service.*



#### KEY FEATURE

##### FORMULATED TO WITHSTAND EXTREME CONDITIONS.

Designed to perform in extreme conditions, it boosts reliability and extends the life of your post and ensures consistent, smooth dropper post action with a specially formulated paste.

#### AND THERE'S MORE...

- + Recommended for regular service of your KS dropper or suspension
- + Super slick and doesn't break in water
- + Safe for other suspension chassis components

## RECOURSE ULTRALIGHT II

### ACTUATION CABLE, LIGHTWEIGHT AND FLEXIBLE

*Enjoy lightning-fast, precise seat post adjustments thanks to a flexible and responsive design. KS' Recourse Ultralight II actuation cable enhances control and responsiveness. Its premium construction guarantees smooth and reliable operation, allowing you to effortlessly adjust your saddle height on the fly.*



#### KEY FEATURE





##### ULTRA-LIGHTWEIGHT AND LOW-FRICTION.

Minimizes drag and maximizes control, giving you smooth operation and confident handling in every ride condition.

#### AND THERE'S MORE...

- + Coated for smooth action
- + Extra flexible to bend around frame junctions
- + High tensile strength

## **FOLLOW US**

-  [instagram.com/kssuspension](https://www.instagram.com/kssuspension)
-  [facebook.com/kssuspension](https://www.facebook.com/kssuspension)
-  [youtube.com/kssuspension](https://www.youtube.com/kssuspension)
-  [linkedin.com/company/ks-suspensions/](https://www.linkedin.com/company/ks-suspensions/)

---

## **INTERNATIONAL DISTRIBUTORS**



---

### **KIND SHOCK HI-TECH CO., LTD.**

+886 6 2568575

<https://kssuspension.com/>

NO. 298, ANXIN 2ND RD., ANNAN DIST.,  
TAINAN CITY 709, TAIWAN (R.O.C.)

© 2025 KIND SHOCK HI-TECH CO. LTD. | ALL RIGHTS RESERVED

